



Dimensions - ISO 20" HQ (see drawing)

Dead weight- 5300kg +/- 5%

Volume - 30m³

Load capacity - 32T

Battery lifetime- 250 cycles.

Cycle time -

Opening - 10 seconds

Pause - 3 seconds*

Closing - 20 seconds

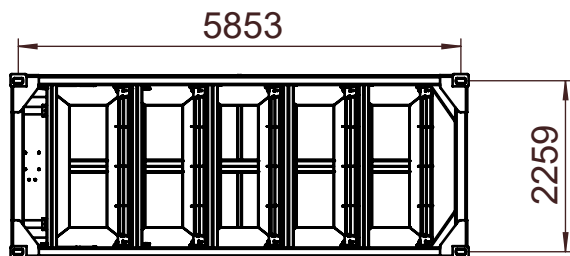
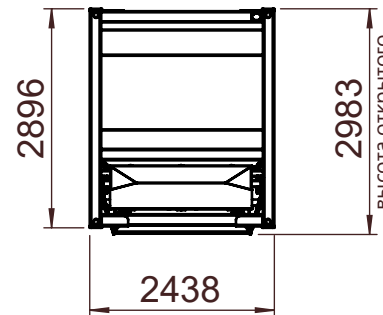
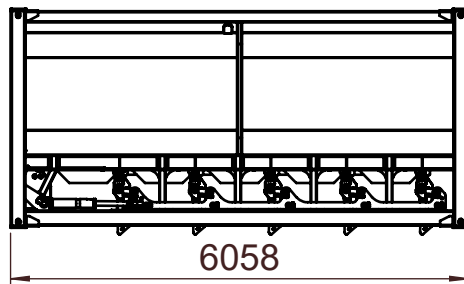
***pause time is programmable**

from 0 to 60 seconds.

Hydraulic oil volume- 20l

Voltage - 24 VDC

Battery capacity 4x180 aH



Work cycle of the device:

When the spreader twist-locks are turned, the system is activated.

The light indication lamp shines continuously.

The crane operator takes the device to the unloading point and activates the device using the "ON" button on the remote control.

The indicator light goes into flashing mode.

The device is ready to perform an Open-Stop-Close cycle.

When you press the "1" button on the remote control the device will perform a cycle - Open-Stop-Close and go into standby mode.

Pressing button "2" interrupts the cycle. The device will close and go into standby mode.

After release from the spreader grip, the light indication does not light up. The system is inactive.

GRAVITI SIA.

Riga, Elijas iela 17-3,
LV-1050,
Latvia

Self-discharging device 30m³

All rights reserved.
Copyright (C) 2020
GRAVITI Ltd.

Drawing number:

db.0.0.00.00

Ver. Rev.